



# Master Anamorphic Lens 28/T1.9 Lens Flare Set

USER MANUAL

Date: May 2016

### Delivery

- ❶ Case
- ❷ Front Flare Element
- ❸ Rear Flare Element
- ❹ Screws
- ❺ User Manual

### Intended use

The Master Anamorphic Lens Flare Sets are designed to be used on ARRI/ZEISS Master Anamorphic lenses. Each Flare Set should only be used on the specified focal length.

#### Safety tips

##### Caution

To ensure proper and safe use, we recommend that you read these safety and operating instructions before using the product and then store them. Non-observance can lead to injury or damage.

##### Safety and handling

Never point the flare elements or the lens directly towards the sun, because you can significantly damage your eyesight. Store the flare elements into their boxes when they are not in use. Otherwise they could start a fire!

### Storage and transportation

Use the product only in temperatures ranging between -20°C and 40°C.

The product is not water resistant or waterproof, but it is equipped with dust and weather seals to ensure weather protection when attached to the lens and used in normal conditions. Protect the camera and lens appropriately when in rainy or damp environments.

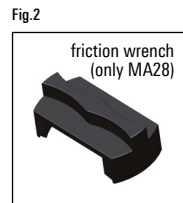
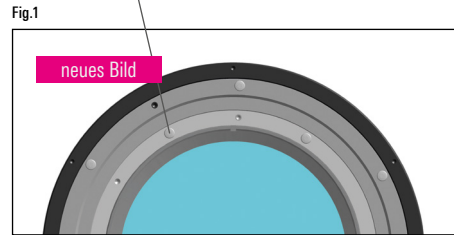
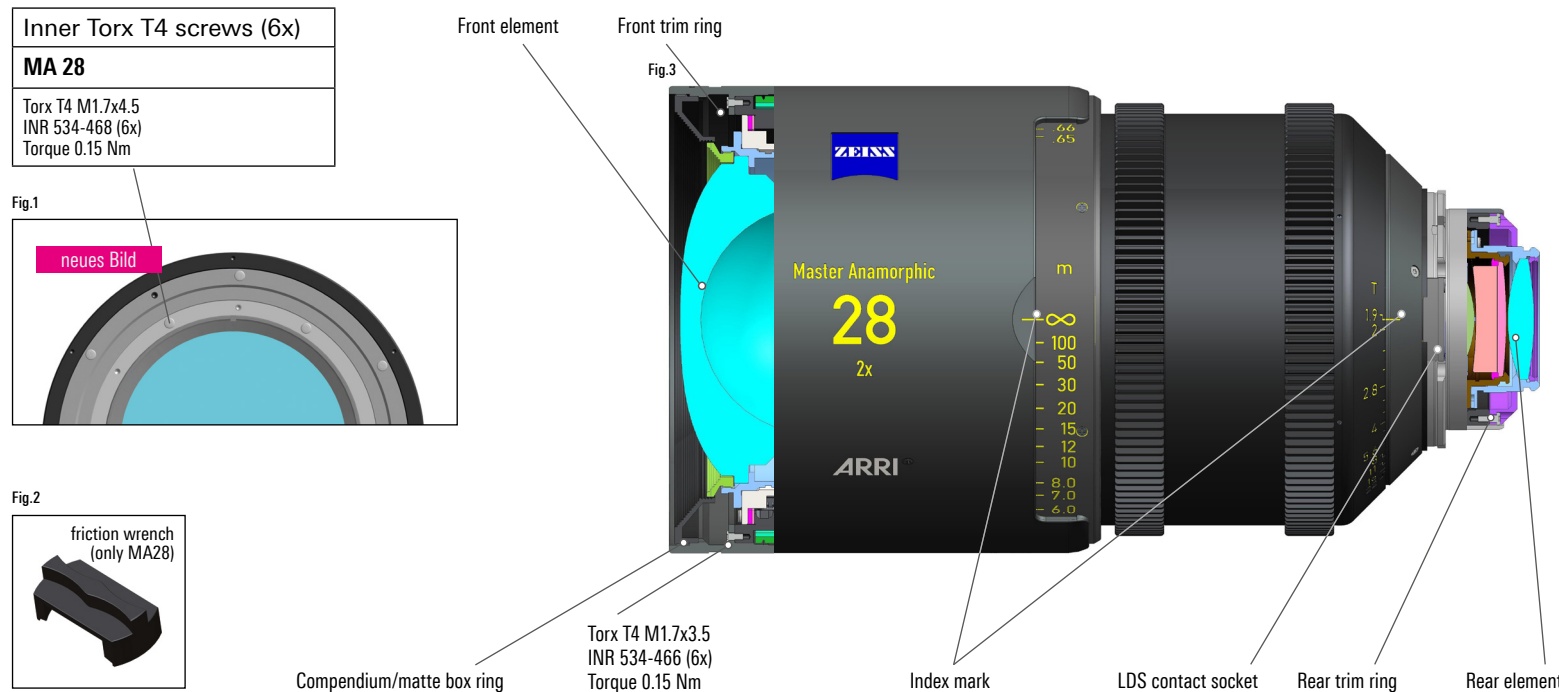
Should the product be exposed to moisture, dismount it from the camera. Allow the device to dry completely before using it again. Do not attempt to dry the product with the help of an external heat source, e.g. in a microwave oven or using a hairdryer.

### Attention

1. During the assembly ensure that the environment is clean and free from dust so that no dust particles can enter the lens.
2. To tighten and untighten the screws only use a T4 torque wrench with a torque of 0.15Nm. If you use the lens in a rough environment please secure the tightness of the screws afterwards with the T4 torque wrench (same procedure as with the lug nuts on your car).
3. ZEISS uses locking varnish on the screws. As you remove the screws from the lens we recommend to throw them away. Otherwise particles of the dried locking varnish could soil the lens.
4. Only tighten or untighten the screws described in this manual. Otherwise you will lose performance and warranty.
5. Smudges and fingerprints on the lens surface can be removed with the ZEISS lens cleaning kit.
6. In case of further questions please contact an ARRI Service Station ([www.arri.de/service](http://www.arri.de/service)) or a ZEISS Cine Service Station (+49 7364 20- 6175 or [www.zeiss.com/cine](http://www.zeiss.com/cine))

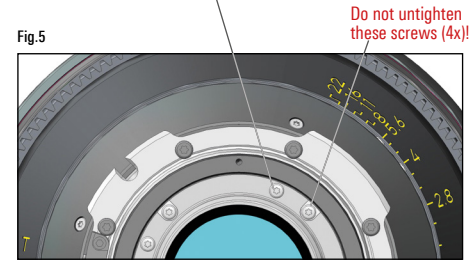
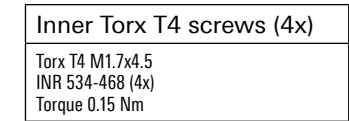
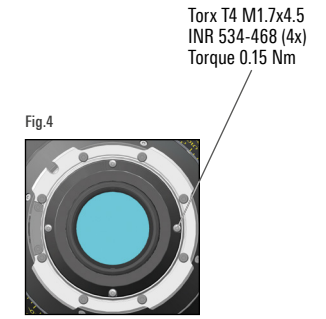
### Assembly instruction for front group

- ❶ Untighten the front trim ring with the friction wrench and remove it by hand (Fig.2).
- ❷ Undo the Torx T4 screws in the compendium/matte box ring and carefully pull it off (Fig. 3).
- ❸ Undo the inner Torx T4 screws, which hold the front lens element, and remove this element (Fig.1).
- ❹ Insert the new front element and tighten the Torx T4 screws.
- ❺ Reinsert the compendium ring in the correct position [index marks on the compendium ring and index ring aligned; cut-out in the compendium ring and LDS contact socket aligned] (Fig.3) and secure it with the Torx T4 screws.
- ❻ Reseat the trim ring [secure a straight position] and tighten it with the friction wrench.



### Assembly instruction for rear group

- ❶ Undo the Torx T4 screws from the rear trim ring and pull the trim ring off (Fig.4).
- ❷ Undo the inner Torx T4 screws in the rear element (Fig.5) and carefully remove the group (Fig.3).
- ❸ Insert the new rear element and tighten the Torx T4 screws (Fig.5).
- ❹ Reseat the trim ring with Torx T4 screws (Fig.4).







For more information please visit  
[www.arri.com](http://www.arri.com)